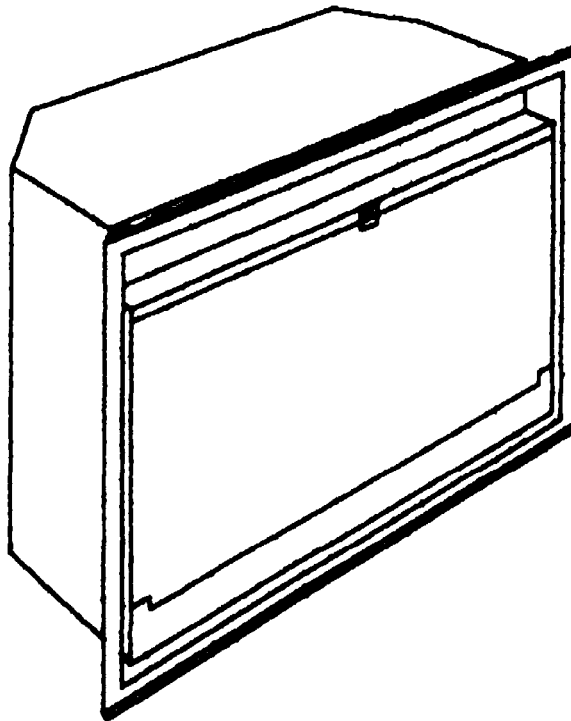




**PRACTICAL USER'S GUIDE  
FOR THE  
OPTIFLAME ELECTRIC FIREPLACE  
BF3600**



Quality checked by:






















*Valued Customer,*

*We are pleased that you have chosen to purchase an electric fireplace  
manufactured by Dimplex North America Limited.*

# SAFETY AND WARNING INFORMATION

## PLEASE RETAIN THIS USER'S GUIDE FOR FUTURE REFERENCE

When using electrical appliances, basic precautions should always be followed to reduce the risk of fire, electric shock, and injury to persons, including the following:

-  Read all instructions before using this fireplace.
-  This fireplace is hot when in use. To avoid burns, do not let bare skin touch hot surfaces. The grille directly in front of the heater outlet becomes hot during heater operation. Keep combustible materials, such as furniture, pillows, bedding, papers, clothes and curtains at least 3 feet (.9m) from the front of unit.
-  Extreme caution is necessary when any heater is used by or near children or invalids and whenever the fireplace is left operating and unattended.
-  Always unplug fireplace when not in use.
-  Do not operate any fireplace with a damaged cord or plug, or if the heater has malfunctioned, or if the fireplace has been dropped or damaged in any manner. Contact authorized service facility for examination, electrical or mechanical adjustment or repair.
-  Do not use outdoors.
-  **This fireplace is not intended for use in bathrooms, laundry areas, damp basements or other areas where water or moisture may be present.**
-  Do not run cord under carpeting. Do not cover cord with throw rugs, runners, or the like. Arrange cord away from traffic area and locations where it could be tripped over.
-  To disconnect fireplace, turn controls to off, then remove plug from outlet.
-  Do not insert or allow foreign objects to enter any ventilation or exhaust opening as this may cause an electric shock or fire, or damage the heater.
-  To prevent a possible fire, do not block air intake or exhaust in any manner. Do not use on soft surfaces, like a bed, where openings may become blocked.
-  All electrical heaters have hot and arcing or sparking parts inside. Do not use it in areas where gasoline, paint, or flammable liquids are used or stored or where the unit will be exposed to flammable vapors.
-  Do not modify this fireplace. Use it only as described in this manual. Any other use not recommended by the manufacturer may cause fire, electric shock or injury to persons.
-  Avoid the use of an extension cord because the extension cord may overheat and cause a risk of fire. However, if you have to use an extension cord, the cord shall be a No.16 AWG minimum size and rated not less than 1875 watts.
-  Do not burn wood or other materials in this fireplace.
-  Do not strike fireplace glass.
-  Always use a certified electrician should new circuits or outlets be required.
-  Always use properly fused and polarized outlets.
-  Always use ground fault protection where required by electrical code.
-  Always disconnect power before performing any cleaning, maintenance or relocation of the fireplace.
-  When transporting or storing the fireplace and cord, keep in a dry place, free from excessive vibration and store so as to avoid damage.



## SAVE THESE INSTRUCTIONS

**NOTE:** Procedures and techniques that are considered important enough to emphasize.

**CAUTION:** Procedures and techniques which, if not carefully followed, will result in damage to the equipment.

**WARNING:** Procedures and techniques which, if not carefully followed, will expose the user to the risk of serious injury or death.

# SITE SELECTION AND PREPARATION

This section provides easy step-by-step instructions for selecting a location and preparing the site to install the fireplace into:

■ **Existing Fireplace (pg 3)**

■ **New Wall Construction (pg 4)**

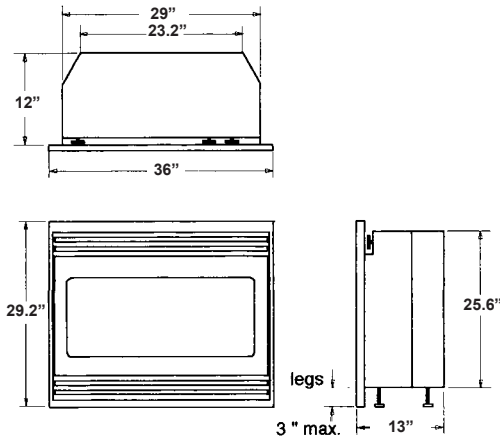


FIGURE 1

## NOTE

- The fireplace comes completely assembled and wired. Some tools may be required to prepare the site and assemble/install the trim.
- The dimensions of the fireplace/insert are 36" wide (91cm) X 29.2" high (74cm) X 13" deep (32cm). (FIGURE 1) We recommend you leave a clearance around the insert of 1/2" (1.2cm) to ease installation.

• **This fireplace does NOT require venting.**

■ **Existing Fireplace:**

1. Seal all drafts and vents with non-combustible non-fibrous insulation materials to prevent chimney debris from falling onto the fireplace/insert and cold air from entering. Do not install into an existing fireplace that is prone to dampness.
2. Cap and seal the top of the chimney flue to prevent rain from entering.
3. Plan your electric power supply: (Refer to Note 1)
4. The power cord can run along the front of the hearth to an outlet near the fireplace. (FIGURE 2)

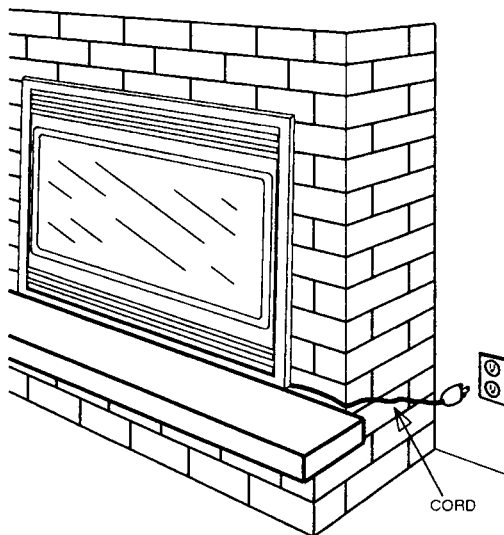


FIGURE 2

## NOTE

- A 15 Amp, 120 Volt circuit is required. A dedicated circuit is preferred but not essential in all cases. A dedicated circuit will be required if, after installation, the circuit breaker trips or fuse blows on a regular basis when the heater is operating. Additional appliances on the same circuit may exceed the current rating of the circuit breaker.

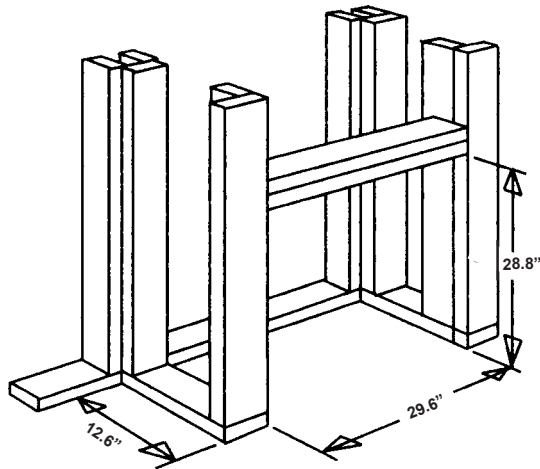


FIGURE 3

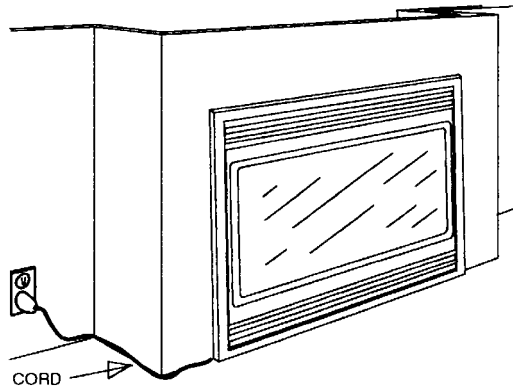


FIGURE 4

## WARNING

- To prevent personal injury you should hire a professional to cap and seal the chimney flue. **Do not cut a hole in the existing fireplace for wiring.**
- If you return your existing fireplace to its original use (Example: wood burning), it should be inspected by the local building department prior to use to reduce the risk of fire and injury to persons.

### ■ New Wall Construction:

1. Select a suitable location that is not susceptible to moisture and is away from drapes, furniture and high traffic.

## NOTE

- It is recommended the fireplace be installed on a hard surface.

2. Place the fireplace in the desired location to see how it will look in the room.
3. Mark the desired location on the floor.
4. Use studs to frame an opening of 29.6" wide X 26.4" high (75cm wide X 67cm high) allowing a depth of 12.6" (32cm). (Refer to FIGURE 3 as an example.)
5. Plan your electric power supply. A dedicated 15 amp, 120 volt circuit will be required.

**Option #1** - The power cord can lead from behind the trim and along the wall to an outlet near the fireplace. (FIGURE 4)

## WARNING

- Construction and electrical outlet wiring must comply with local building codes and other applicable regulations to reduce the risk of fire, electric shock and injury to persons.

## WARNING

•Do not attempt to wire your own new outlets or circuits. To reduce the risk of fire, electric shock or injury to persons, always use a licensed electrician.

## FIREPLACE/INSERT INSTALLATION

This section provides easy step-by-step instructions for installation of your fireplace/insert.

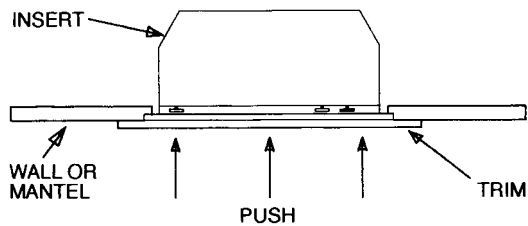


FIGURE 6

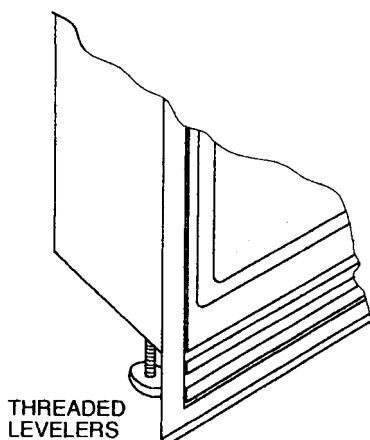


FIGURE 7

1. Remove door frame by lifting and pulling away from insert.
2. Dispose of cardboard glass protector and replace door by aligning the two hooks with the rectangular slots provided in the surround, inserting and lowering.
3. Make sure the unit is switched OFF (Refer to operating instruction section).
4. Plug the fireplace/insert into a 15AMP/120Volt outlet. If the cord does not reach you may use an extension cord rated for a minimum of 1875WATTS.
5. Level the fireplace/insert by adjusting the height of the three threaded levelers on the bottom surface of the fireplace/insert.
6. Push the fireplace/insert into place so that the trim is against the finished Mantel Surround or wall surface.(FIGURE 6)

## WARNING

•Ensure the power cord is not installed so that it is pinched or against a sharp edge and ensure that the power cord is stored or secured to avoid tripping or snagging to reduce the risk of fire, electric shock or injury to persons.

## OPERATION

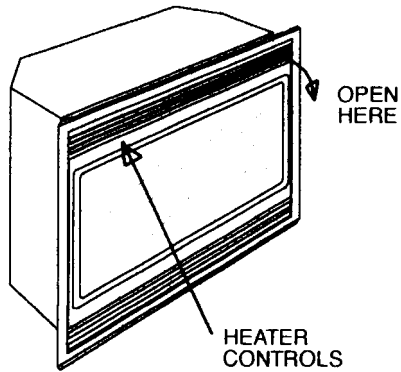


FIGURE 8

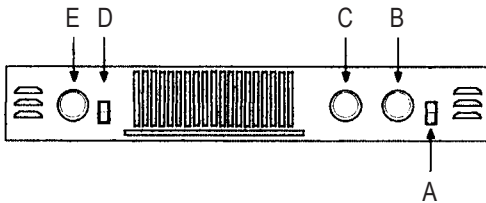


FIGURE 9

## NOTE

- Do not allow this appliance to operate unattended.

This section will explain the function of each convenient control.

1. To access the controls, open the upper grille by pulling, near the top right hand side, forward and down.(FIGURE 8)
2. To locate controls refer to FIGURE 9.

## WARNING

- The center and left hand portion of the grille will get hot when the heater is operating. Take care to always grasp the grille on the right hand side.

### A. MAIN ON/OFF SWITCH

The ON/OFF SWITCH supplies power to all fireplace/insert functions (Heater/Flame).

### RESETTING THE TEMPERATURE CUTOFF SWITCH

This unit is equipped with a thermostat which controls the temperature of the room. It does this by turning the heater on and off. The heater is protected with a safety device to prevent overheating. Should the heater overheat, an automatic cut out will turn the heater off and it will not come back on without being reset. It can be reset by switching the ON/OFF/RESET SWITCH to OFF and waiting 5 minutes before switching the unit back on.

## CAUTION

- If you need to continuously reset the heater, unplug the unit and call your authorized service center.

### B. FLAME ACTION CONTROL

Turn the flame action control knob to adjust the flame speed to the desired level.

### C. FLAME BRIGHTNESS CONTROL

Turn the flame brightness control knob to increase or decrease the brightness of the flame and embers.

### D. HEATER ON/OFF SWITCH

The heater on/off switch supplies power to the heating unit when main on/off switch (A) is on.

### E. HEATER THERMOSTAT CONTROL

To adjust the temperature to your individual requirements,

turn the thermostat control clockwise all the way to turn on the heater. When the room reaches the desired temperature, turn the thermostat knob counter clockwise until you hear a click. Leave in this position to maintain the room temperature at its setting. For additional heat, turn clockwise until you hear the click again and the heater will turn on.

## NOTE

- The heater may emit a slight, harmless odor when first used. This is a normal condition caused by initial heating of internal parts and will not occur again.

3. To conceal the controls during operation, return the grille to its original upright position. The ON/OFF indicator light may remain visible.

## MAINTENANCE

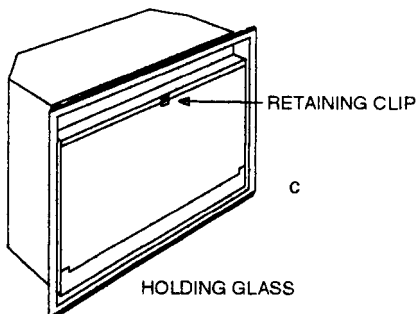
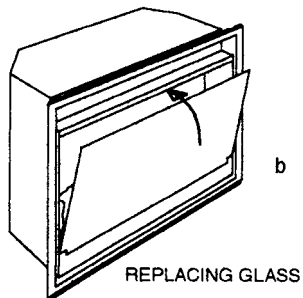
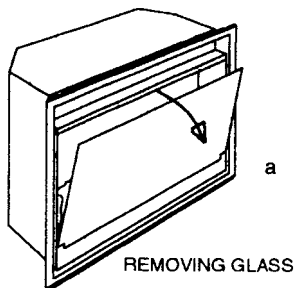


FIGURE 10 (a,b,c)

## WARNING

- Disconnect power before attempting any maintenance or cleaning to reduce the risk of fire, electric shock or injury to persons.

### ■Light Bulb Replacement:

## NOTE

- Allow at least 5 minutes for light bulbs to cool off before touching bulbs to avoid accidental burning of skin.

Light bulbs need to be replaced when you notice a dark section of the flame or when the clarity and detail of the log exterior deteriorates. There are two bulbs at the top of the opening which illuminate the log set exterior, and four bulbs under the log set which generate the flames and embers.

### Tool Requirements: Slot Screw Driver

#### To open the light bulb area:

1. Remove trim by lifting and pulling away from the glass.
2. Hold glass in place while removing retaining clip as shown in FIGURE 10 (a,b,c).
3. Lift glass out and store in a safe place.

## CAUTION

•Although the glass is safety glass it may break if bumped, struck or dropped. Care must be taken when handling the glass.

### Helpful Hints

#### Unplug fireplace/insert before changing top or bottom light bulbs.

It is a good idea to replace all light bulbs at one time if they are close to the end of their rated life. Group replacement will reduce the number of times you need to open the unit to replace light bulbs.

#### •To replace the bottom light bulbs which generate the flames and embers:

Bulb Requirements: Quantity of 4 clear chandelier or candleabra bulbs with an E-12 (small) socket base, 60 watt rating. Example GE 60BC or Philips 60CTC.

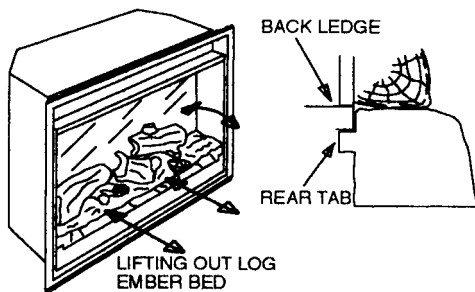


FIGURE 11

## CAUTION

•Do not exceed 60 watts per bulb

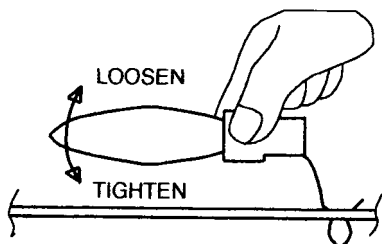


FIGURE 12

1. Carefully lift up front edge of log ember bed until it clears the front tabs. Pull out until the rear tab clears the back ledge, then lift out.(FIGURE 11)
2. Examine the bulbs to determine which bulbs require replacement.
3. **Hold the socket while unscrewing the bulb.(FIGURE 12)**
4. **Hold the socket while screwing in the new bulb.**
5. Replace the log by pushing it down and in until it rests against the mirror.(FIGURE 11)

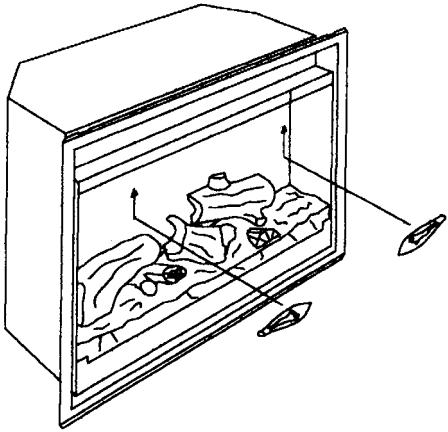


FIGURE 13

•**To replace the top light bulbs which illuminate the log exterior:**

Bulb Requirements: Quantity of 2 clear chandelier or candleabra bulbs with an E-12 (small) screw base. Please refer to the label adjacent to the upper lights for the correct wattage for your model.

**CAUTION**

•Do not exceed 15 watts per bulb

1. Examine the bulbs to determine if they need replacing. (FIGURE 13)
2. **Hold the socket while unscrewing the bulb.**(FIGURE 12)
3. **Hold the socket while screwing in the new bulb.**

•**To reassemble light bulb area**

1. Replace the glass and hold it in place at top.(FIGURE 10b)
2. Fasten retaining clip to hold glass in place.(FIGURE 10c)
3. Plug in fireplace/insert.

■**Glass Cleaning:**

The glass is cleaned in the factory during the assembly operation. During shipment, installation, handling, etc., the glass surface may collect dust particles; these can be removed by buffing lightly with a clean dry cloth.

To remove finger prints or other marks, the glass can be cleaned with a damp cloth using a good quality household glass cleaner. The glass should be completely dried with a lint free cloth or paper towel.

**CAUTION**

•Do not use abrasive cleaners on glass surface or spray liquids directly onto any surface.

**Helpful Hints**

Wait until it is time to change the light bulbs to clean inside glass surface.

## TWO YEAR LIMITED WARRANTY

### *Products to which this limited warranty applies*

This limited warranty applies to the following models of your newly purchased Dimplex electric **BF3600** and to newly purchased Dimplex fireplace surrounds (mantels) and trims. This limited warranty applies only to purchases made in any province of Canada *except* for Yukon Territory, Nunavut, or Northwest Territories or in any of the 50 States of the USA (and the District of Columbia) *except* for Hawaii and Alaska. This limited warranty applies to the original purchaser of the product only and is not transferable.

### *Products excluded from this limited warranty*

Light bulbs are not covered by this limited warranty and are the sole responsibility of the owner/purchaser. Products purchased in Yukon Territory, Nunavut, Northwest Territories, Hawaii, or Alaska are not covered by this limited warranty. Products purchased in these States, provinces, or territories are sold AS IS without warranty or condition of any kind (including, without limitation, any implied warranties or conditions of merchantability or fitness for a particular purpose) and the entire risk of as to the quality and performance of the products is with the purchaser, and in the event of a defect the purchaser assumes the entire cost of all necessary servicing or repair.

### *What this limited warranty covers and for how long*

Products, other than fireplace surrounds (mantels) and trims, covered by this limited warranty have been tested and inspected prior to shipment and, subject to the provisions of this warranty, Dimplex warrants such products to be free from defects in material and workmanship for a period of 2 years from the date of the first purchase of such products.

Dimplex fireplace surrounds (mantels) and trims covered by this limited warranty have been tested and inspected prior to shipment and, subject to the provisions of this warranty, Dimplex warrants such products to be free from defects in material and workmanship for a period of 1 year from the date of first purchase of such products.

The limited 2 year warranty period for products other than fireplace surrounds (mantels) and trims and the limited 1 year warranty period for fireplace surrounds (mantels) and trims also applies to any implied warranties that may exist under applicable law. Some jurisdictions do not allow limitations on how long an implied warranty lasts, so the above limitation may not apply to the purchaser.

### *What this limited warranty does not cover*

This limited warranty does not apply to products that have been repaired (except by Dimplex or its authorized service representatives) or otherwise altered. This limited warranty does further not apply to defects resulting from misuse, abuse, accident, neglect, incorrect installation, improper maintenance or handling, or operation with an incorrect power source.

*What you must do to get service under this limited warranty*

Defects must be brought to the attention of Dimplex Technical Service by contacting Dimplex at 1-888-DIMPLEX (1-888-346-7539), or 1367 Industrial Road, Cambridge Ontario, Canada N1R 7G8. Please have proof of purchase, catalogue/model and serial numbers available when calling. Limited warranty service requires a proof of purchase of the product.

*What Dimplex will do in the event of a defect*

In the event a product or part covered by this limited warranty is proven to be defective in material or workmanship during (i) the 2 year limited warranty period for products other than fireplace surrounds (mantels) and trims, and (ii) the 1 year limited warranty period for surrounds (mantels) and trims, you have the following rights:

- Dimplex will in its sole discretion either repair or replace such defective product or part without charge. If Dimplex is unable to repair or replace such product or part, or if repair or replacement is not commercially practicable or cannot be timely made, Dimplex may, in lieu of repair or replacement, choose to refund the purchase price for such product or part.
- Limited warranty service will be performed solely by dealers or service agents of Dimplex authorized to provide limited warranty services.
- **For products other than surrounds (mantels) and trims**, this 2 year limited warranty entitles the purchaser to on-site or in-home warranty services. Accordingly, Dimplex will be responsible for all labour and transportation associated with repairing or replacing the product or part except as follows: (i) charges which may be levied for travel costs incurred to travel to the purchaser's site where the product is located if the purchaser's site is beyond 30 miles (48 km) from the closest service depot of Dimplex's dealer or service agent; and (ii) the purchaser is solely responsible for providing clear access to all serviceable parts of the product.
- **For surrounds (mantels) and trims**, this 1 year limited warranty does not entitle the purchaser to on-site or in-house warranty services. The purchaser is responsible for removal and transportation of the surrounds (mantels) and trims (and any repaired or replacement product or part) to and from the authorized dealer's or service agent's place of business. On-site or in-home services for surrounds (mantels) and trims may be performed at the purchaser's specific request and expense at Dimplex's then-current rates for such services. Dimplex will not be responsible for, and this limited warranty shall not include, any expense incurred for installation or removal of the surrounds (mantels) or trims or any part thereof (or any replacement product or part) including, without limitation, all shipping costs and transportation costs to and from the authorized dealer's or service agent's place of business and all labour costs. Such costs shall be the purchaser's responsibility.

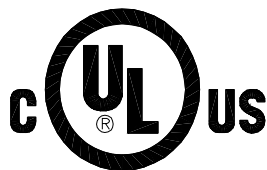
*What Dimplex and its dealers and service agents are also not responsible for:*

IN NO EVENT WILL DIMPLEX, OR ITS DIRECTORS, OFFICERS, OR AGENTS, BE LIABLE TO THE PURCHASER OR ANY THIRD PARTY, WHETHER IN CONTRACT, IN TORT, OR ON ANY OTHER BASIS, FOR ANY INDIRECT, SPECIAL, PUNITIVE, EXEMPLARY, CONSEQUENTIAL, OR INCIDENTAL LOSS, COST, OR DAMAGE ARISING OUT OF OR IN CONNECTION WITH THE SALE, MAINTENANCE, USE, OR INABILITY TO USE THE PRODUCT, EVEN IF DIMPLEX OR ITS DIRECTORS, OFFICERS, OR AGENTS HAVE BEEN ADVISED OF THE POSSIBILITY OF SUCH LOSSES, COSTS OR DAMAGES, OR IF SUCH LOSSES, COSTS, OR DAMAGES ARE FORESEEABLE. IN NO EVENT WILL DIMPLEX, OR ITS OFFICERS, DIRECTORS, OR AGENTS BE LIABLE FOR ANY DIRECT LOSSES, COSTS, OR DAMAGES THAT EXCEED THE PURCHASE PRICE OF THE PRODUCT.

SOME JURISDICTIONS DO NOT ALLOW THE EXCLUSION OR LIMITATION OF INCIDENTAL OR CONSEQUENTIAL DAMAGES, SO THE ABOVE LIMITATION OR EXCLUSION MAY NOT APPLY TO THE PURCHASER.

*How State and Provincial law apply*

This limited warranty gives you specific legal rights, and you may also have other rights which vary from jurisdiction to jurisdiction. The provisions of the United Nations Convention on Contracts for the Sale of Goods shall not apply to this limited warranty or the sale of products covered by this limited warranty.



Approved for use in the  
United States and Canada

1-888-DIMPLEX

**Dimplex**<sup>®</sup>

1367 Industrial Road  
Cambridge, Ontario  
Canada  
N1R 7G8