



North America Limited

**PRACTICAL USER'S GUIDE  
FOR THE ELECTRIC WALL MOUNTED  
FIREPLACE**

**MODEL NUMBER:**

**EWM-COPPER**

**EWM-SS-BLK**

Quality checked by:

*Valued Customer,*

*We are pleased that you have chosen to purchase an electric fireplace  
manufactured by Dimplex North America Limited.*

7205780200REV00

## OPERATION

The controls are located on the lower right side of the wall mounted electric fireplace. (FIGURE 7)

### A. MAIN ON/OFF SWITCH

The on/off switch supplies power to all unit functions (heat/flame)

### B. HEATER ON/OFF SWITCH

The HEATER ON/OFF SWITCH supplies power to the heater fan and the heater element.

### C. HEATER THERMOSTAT CONTROL

To adjust the temperature to your individual requirements, turn the thermostat control clockwise all the way to turn on the heater. When the room reached the desired temperature, turn the thermostat knob counter clockwise until you hear a click. Leave in this position to maintain the room temperature at this setting. For additional heat, turn clockwise until you hear the click again and the heater will turn on. To turn the heater off, switch the HEATER ON/OFF SWITCH to the OFF position.

**NOTE:** When the heater is switched ON, the heater fan will operate. The heater element may or may not be on, depending on the thermostat control setting (SEE "HEATER THERMOSTAT CONTROL").

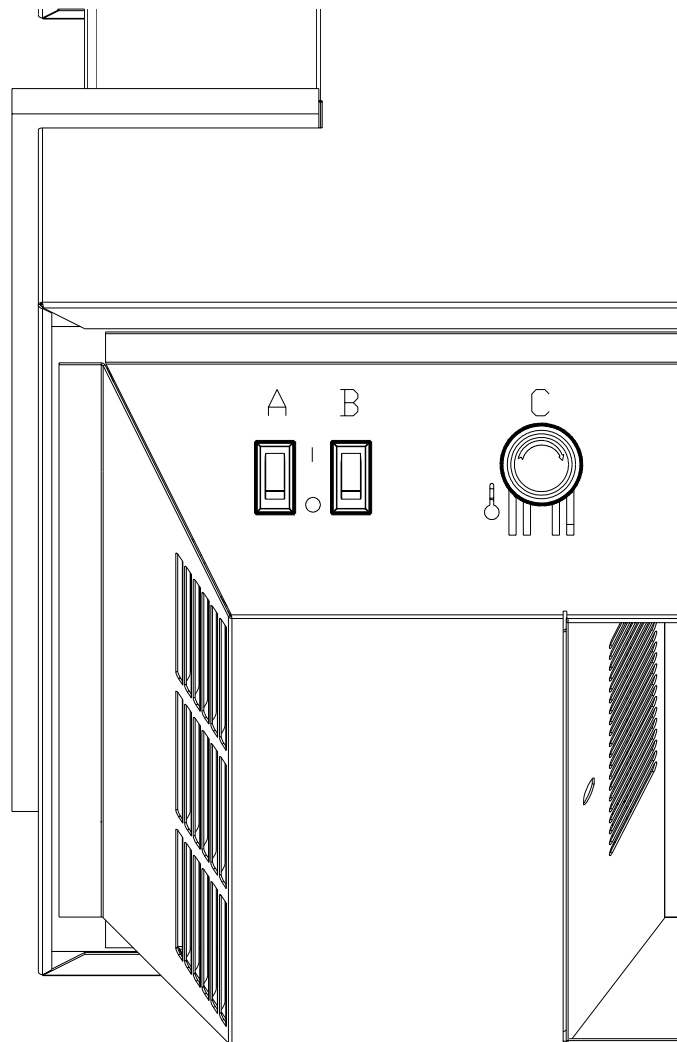


FIGURE 7 (LOWER RIGHT SIDE)

## RESETTING THE TEMPERATURE CUTOFF SWITCH

Should the heater overheat, an automatic cut out will turn the heater off and it will not come back on without being reset. It can be reset by switching the MAIN ON/OFF SWITCH to OFF and waiting 5 minutes before switching the unit back on.

### CAUTION

If you need to continuously reset the heater, unplug the unit and call Dimplex customer service at 1-888-DIMPLEX (1-888-346-7539).

## MAINTENANCE

### WARNING

Disconnect power before attempting any maintenance or cleaning to reduce the risk of fire, electric shock or damage to persons.

### LIGHT BULB REPLACEMENT

Allow at least 5 minutes for light bulbs to cool before touching bulbs to avoid accidental burning of skin.

Light bulbs need to be replaced when you notice a dark section of the flame or when the clarity and detail of the log exterior disappears. There are two bulbs under the log set which generate the flames and embers.

### TOOL REQUIREMENTS

Slot screw driver

### HELPFUL HINTS

It is a good idea to replace all light bulbs at one time if they are close to the end of their rated life. Group replacement will reduce the number of times you need to open the unit to replace light bulbs.

### LOWER LIGHT BULB REQUIREMENTS

Quantity of 3 – **35 Watt Clear Halogen Lamps**, 120 Volt, G9 base. **DO NOT EXCEED 35 WATTS PER BULB.**

### LOWER BULB REPLACEMENT

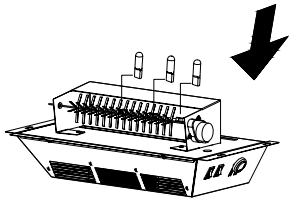
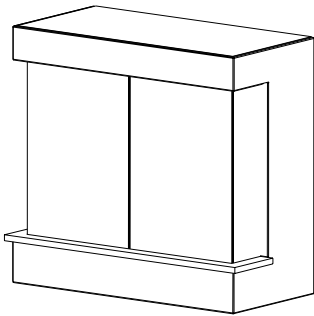


FIGURE 1

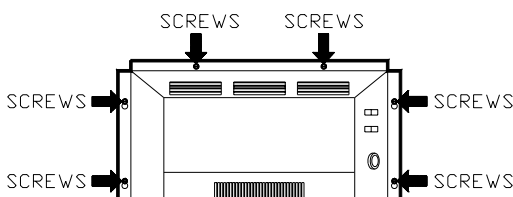


FIGURE 2

1. Unplug the unit from the outlet.
2. Remove the two mounting screws from the bottom front of the heater assembly. (FIGURE 2)
3. Loosen but do not remove the four heater and light assembly mounting screws located on the bottom sides of the wall mounted electric fireplace. (FIGURE 2)
4. Slide the heater and light assembly forward to release it from the bottom of the wall mounted electric fireplace (FIGURE 1).
5. Place heater and light assembly on a flat surface and examine the bulbs to determine which bulb(s) required replacement
6. Remove the burnt out bulb(s) by gently pulling straight out of socket. If bulbs are difficult to remove from socket move the bulb from side to side while pulling being careful not to damage the light socket.
7. Insert new bulb(s).
8. Install the heater and light assembly onto the four mounting screws.
9. Slide the assembly backwards to lock it into position.
10. Tighten the four heater and light assembly mounting screws.
11. Install the two front mounting screws.
12. Plug in the wall mounted electric fireplace.

## **GLASS CLEANING**

The front glass is cleaned in the factory during the assembly operation. During shipment, installation, handling, etc., the front glass may collect dust particles, these can be removed by dusting lightly with a clean dry cloth.

To remove fingerprints or other marks, the glass can be cleaned with a damp cloth. The glass should be completely dried with a lint free cloth to prevent water spots. To prevent scratching, do not use abrasive cleaners or spray liquids on the glass surface.

## **WALL MOUNTED ELECTRIC FIREPLACE SURFACE CLEANING**

To remove fingerprints or other marks, the exterior finish can be cleaned with a damp cloth with a mild detergent. The surface should be completely dried with a lint free cloth to prevent water spots.

**To prevent scratching, do not use abrasive cleaners or spray liquids on any surface.**